

## How to Measure – Blinds

### 1. Decide on type of Mount –

#### INSIDE MOUNT – REVEAL FIT

The blinds will sit inside the window frame.

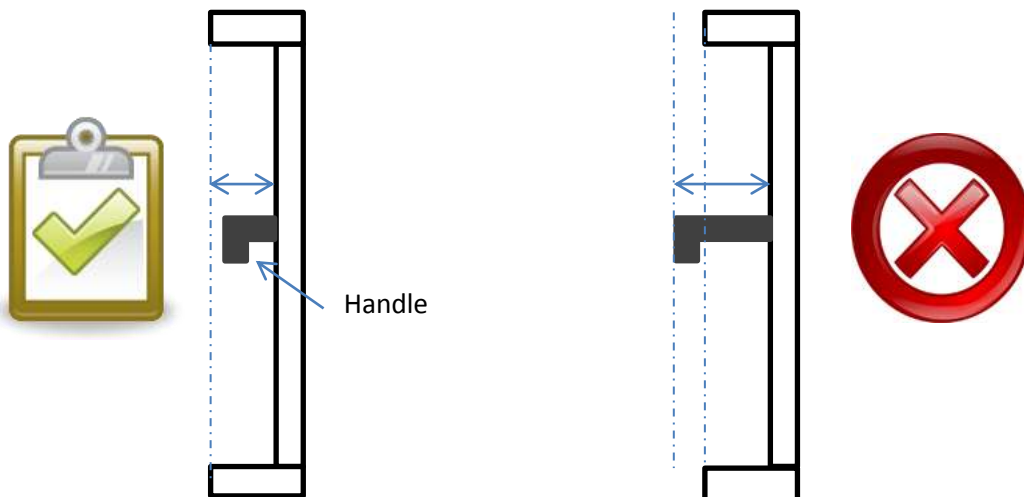
This type of mount is most suitable for;

- a) Most Sliding Windows
- b) Awning Windows (check handle depth)
- c) Double Hung Windows

This type of mount is generally not suggested for;

- a) Louvre Windows
- b) Any Window with large handle (Handle may protrude into drop path of the blind)
- c) Any Door with large handle (Handle may protrude into drop path of the blind)

#### Cross Section of Window Frame



Ensure handle/lever does not protrude past the window sill edge.

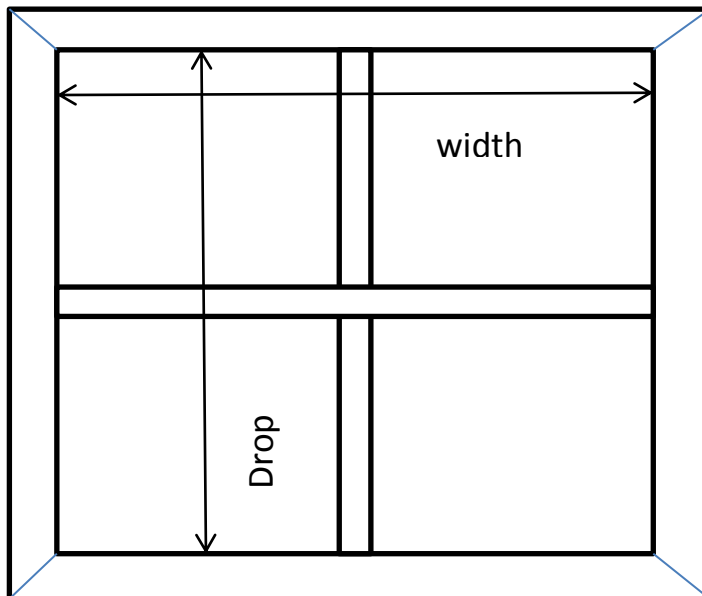
If handle/lever protrudes past the edge of the window sill you will need to measure for an “Outside” Fit.

**To measure the width,** click on this video link <insert video link> or read instructions below;

- Place the edge of your metal tape measure against the inside edge of the left hand side window frame.
- Extend your tape measure out until it reaches the inside edge of the right hand side
- Record Width Measurement

**To measure the drop;**

- Place the edge of your metal tape measure against the inside edge of the top of the window frame.
- Extend your tape measure out until it reaches the inside edge of the bottom of the window frame or the floor if measuring for a window that extends to the floor or door.
- Record Drop Measurement



## OUTSIDE MOUNT – FACE FIT

The blinds will sit outside the window frame on the architrave.

This type of mount is most suitable for;

- a) Most Sliding Doors
- b) Louver Windows
- c) Any windows that are not suitable for inside fit due to protruding handles/levers

This type of mount is generally not suggested for;

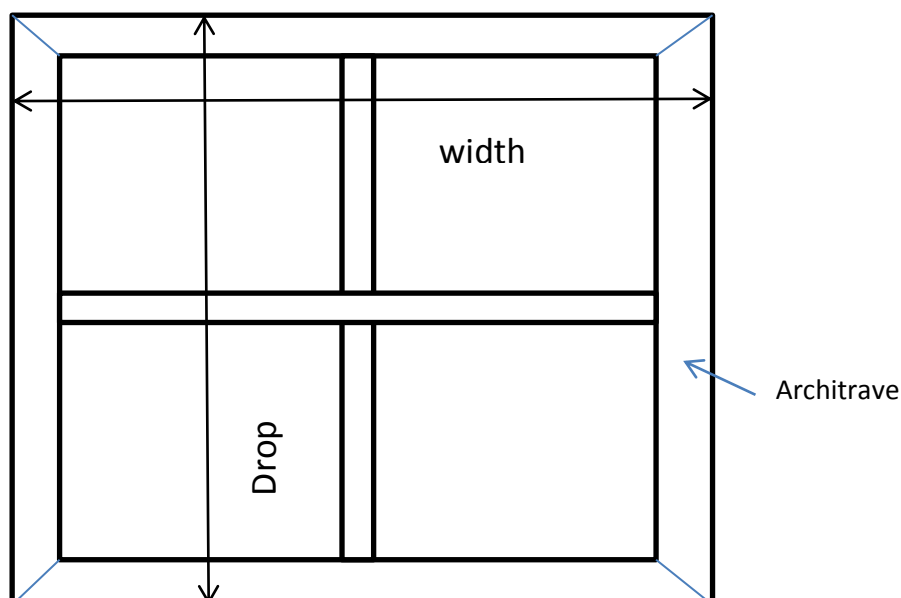
- a) Sliding Windows (will be cheaper if suitable for inside fit)
- b) Any window or door that is butted up against a corner

To measure the **width**, click on this video link <insert video link> or read instructions below;

- Place the edge of your metal tape measure on the outside edge of the left hand side architrave
- Extend your tape measure out until it reaches the outside edge of the right hand side architrave
- Record Width Measurement

To measure the **drop**, click on this video link <insert video link> or read instructions below;

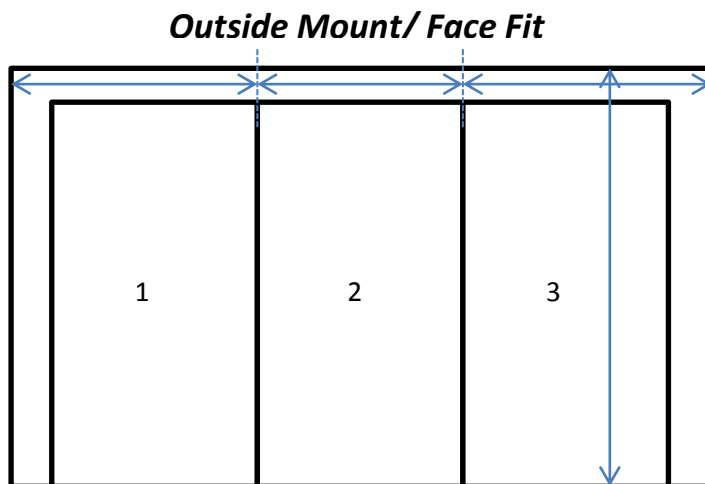
- Place the edge of your metal tape measure on the outside edge of the top of the architrave
- Extend your tape measure out until it reaches the outside edge of the bottom of the architrave or the floor if measuring for window that extends to the floor or a door.
- Record Drop Measurement



## MULTIPLE BLIND WINDOWS/DOORS

For larger windows/doors and more complex layouts (Bay Windows, Corner Windows etc...) you will first need to elect the mount type you wish. (Inside or Outside mount)

### MULTI-FRAME DOORS



#### Drop –

Measure from outside edge of top architrave to bottom outside edge of architrave or floor for a door.

#### Width- Separate Measurements for each panel

Outside Panels (1 & 3 in diagram above), Measure from outside of Architrave to edge of first window/door panels.

Middle Panel/s (2 in diagram above) Measure from edge of window/door panel to opposite edge of window/door panel.

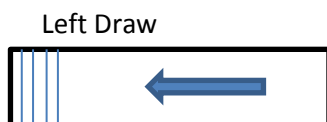
## CORNER WINDOWS/BAY WINDOWS

We highly recommend that you email our team at [sales@blindsdiy.com.au](mailto:sales@blindsdiy.com.au) or call (07) 3503 8867 for these more complex window and door arrangements as there is a greater chance of mis-measuring. Our team will discuss with you your requirements and guide you as to the most appropriate method to measure your customised blinds. It may be helpful for you to take a photo of the window/door that you would like assistance with.

## 2. DECIDE ON THE DRAW – (VERTICAL BLINDS ONLY)

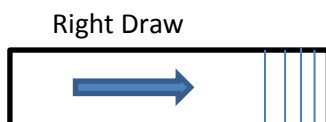
Draw refers to the direction that the blades will move to (draw to) a full open position. Also referred to as “stack”

### Left Draw /Right Draw



Open Position –

Blades stacked on left hand side



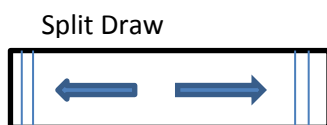
Open Position –

Blades stacked on right hand side

These are the standard draw types and will apply to most smaller windows (<2000mm width)

Our tracks are completely reversible and are suitable for either a left or right side draw. So if you choose the wrong draw side or hang them the wrong way, don't panic. Just flip the track around to re-install.

### Split Draw

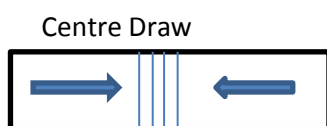


Open Position –

Blades stacked on left and right hand side

The split draw is usually recommended for larger double sliding windows and double sliding doors (windows & doors that slide apart) so that the draw of the blinds matches the movement of the windows/doors.

### Centre Draw



Open Position –

Blades stacked in the centre

The Centre Draw may be appropriate for larger double sliding windows where the door/window handles are located on the outside edges of the window/door frame. With the Centre Draw you will still have access to control the windows/doors.

## 3. SELECT THE CONTROL SIDE

The control side is where the blinds will be operated from;

### For Vertical Blinds

The operating mechanism is a wand.

The wand can be pulled in either direction to draw the blinds along the track. The wand can also be twisted to rotate the blinds from closed to open.

- No need to let us know the control side as our tracks are reversible.
- If you have selected a Split Draw the controls will be located in the middle (one for each side)
- If you have selected a Centre Draw the controls will be located on the outside of each side.

### For Roller Blinds

The operating mechanism is a chain.

The chain can be pulled in either direction to lower and raise the blind.

You will need to select the side that you wish the chain control to be located for each roller blind. We suggest that you stand in front of the window or door you are measuring and select the most appropriate option.

